

WENZHOU FEIHUA PRINTING MACHINERY CO.,LTD

Add: No. 460, Jinhai 1st Road, Binhai industry Longwan, Wenzhou, Zhejiang

Web: www.newstar-machine.com/www.newstar-machinery.com

Tel: 86-577-86709268

Fax: 86-577-86709269

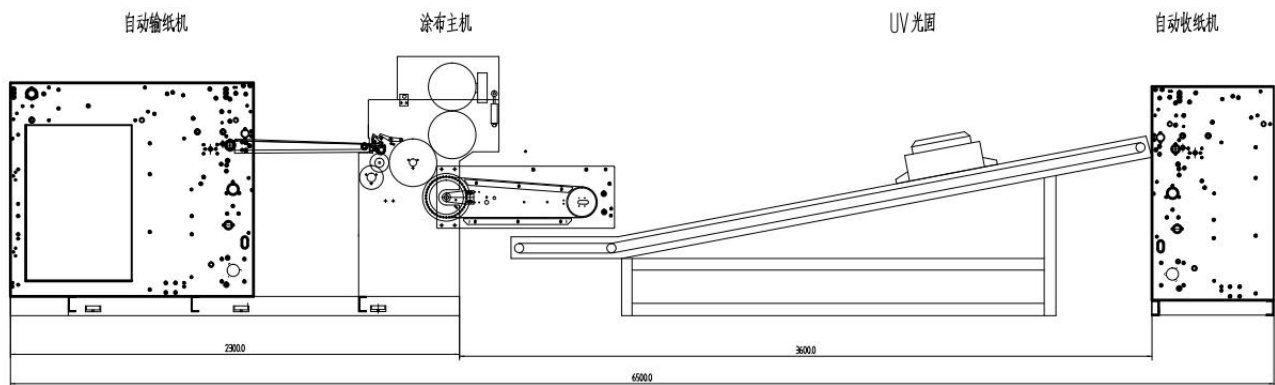


Company Introduction

Wenzhou Feihua Printing Machinery Co., Ltd. has more than 20 years of experience in post-press equipment manufacturing, specializing in the production of laminating machines, comprehensive coating machines and pre-coating films. A professional company integrating scientific research, design, manufacturing, and service, with the business tenet of "professionalism, focus, innovation, and service", scientific management, and strive to meet customer requirements to the greatest extent.

SJUV-760 Spot UV Coating Machine





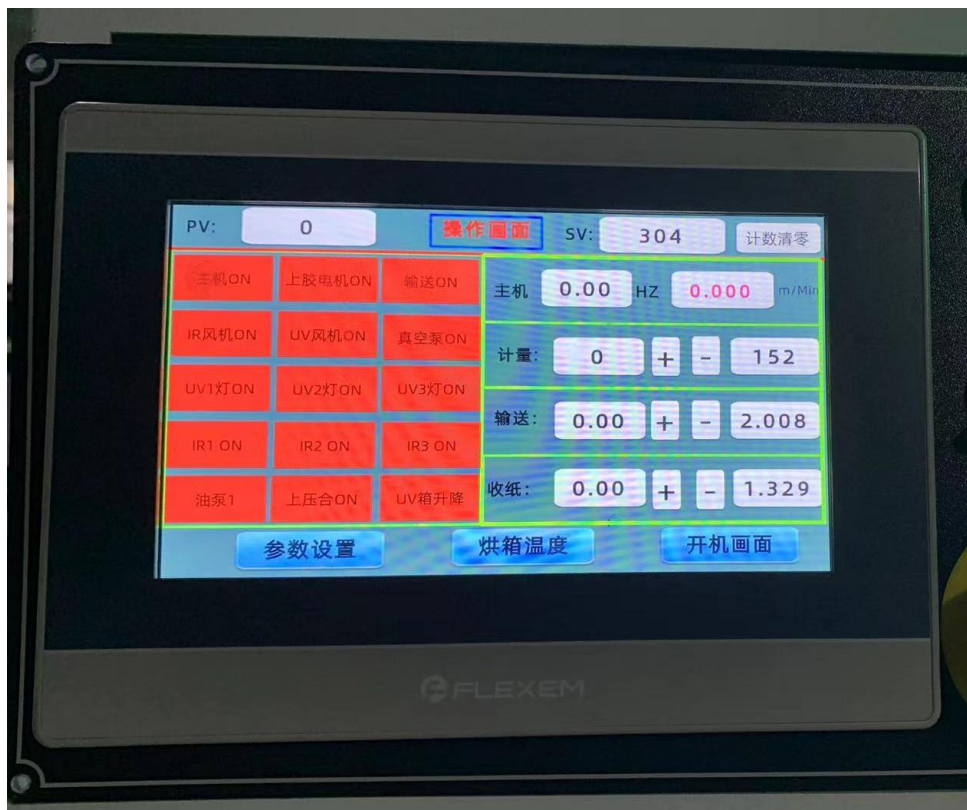
一： Applications:

The spot uv coating machine SJUV-760 is a new coating equipment with excellent performance, which integrates the advanced technologies at home and abroad. It can both local and overall coating, and has the advantages of high working speed, high gloss, thin and uniform coating layer. It is widely used in packaging decoration, book cover and other printing materials.

二： Technical parameters

型号	Model	SJUV-760
最大纸张宽度	Max. Sheet Size	760*595mm
最小纸张宽度	Min. Sheet Size	290*270mm
纸张克重	Sheet Weight	80~400g/m ²
速度	Speed	6000pcs/h
整机功率	Power	45Kw
UV灯管	UV Lamp	3pcsx8Kw
红外灯管	IR Lamp	18pcsx1Kw
输纸高度	Paper feed height	1050mm
收纸高度	Paper stack height	920mm
重量	Weight	65000kg
体积	Dimension	16500x2050x2000mm

三： Features



The whole machine has a one-key acceleration function. After the main machine accelerates, the oven, paper delivery, feeder, and metering roller will all change according to the speed of the main machine.

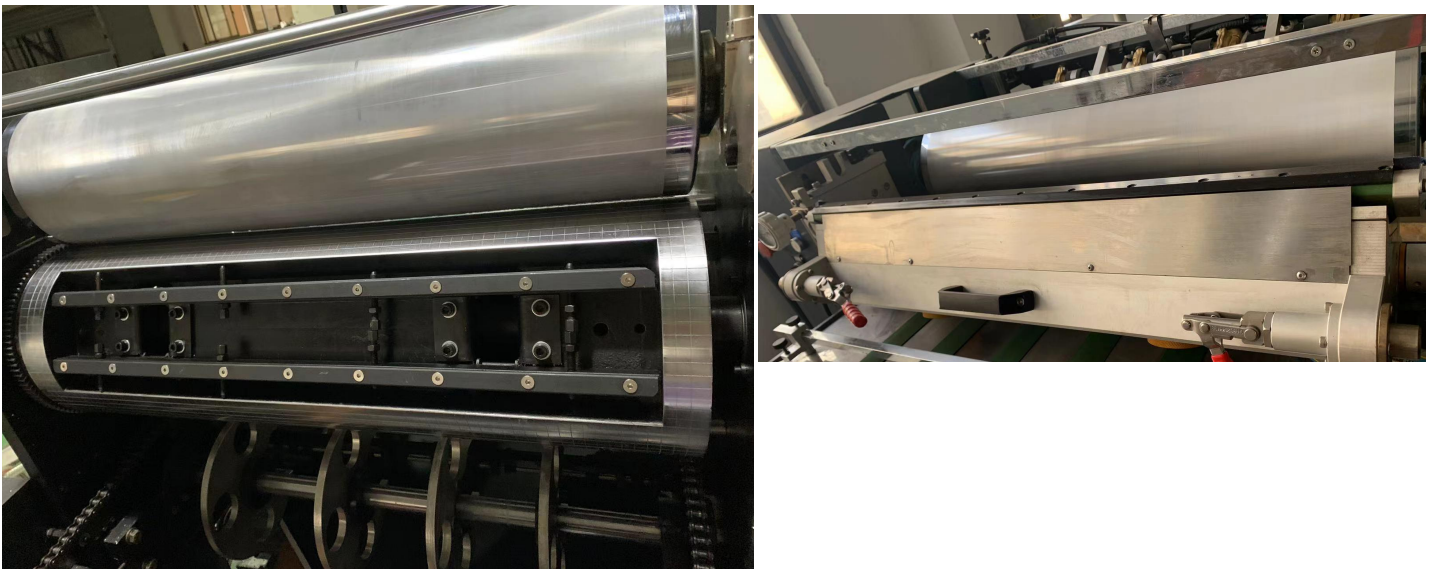
Use metering roller anilox roller to oil and then transfer to blanket.

(一) : Auto feeding



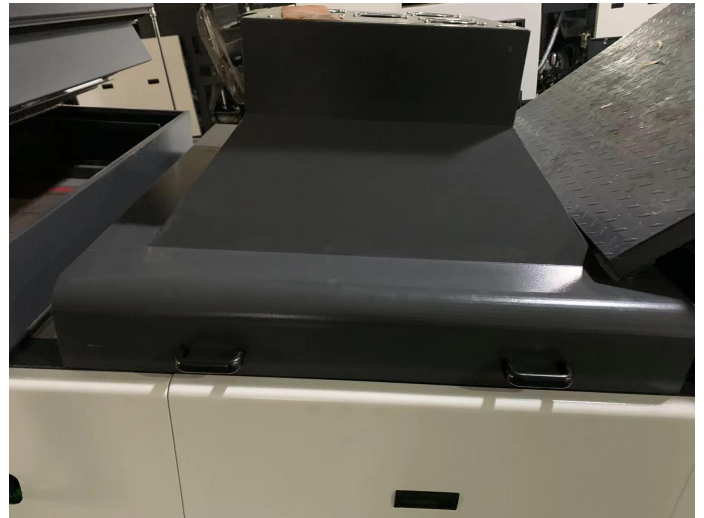
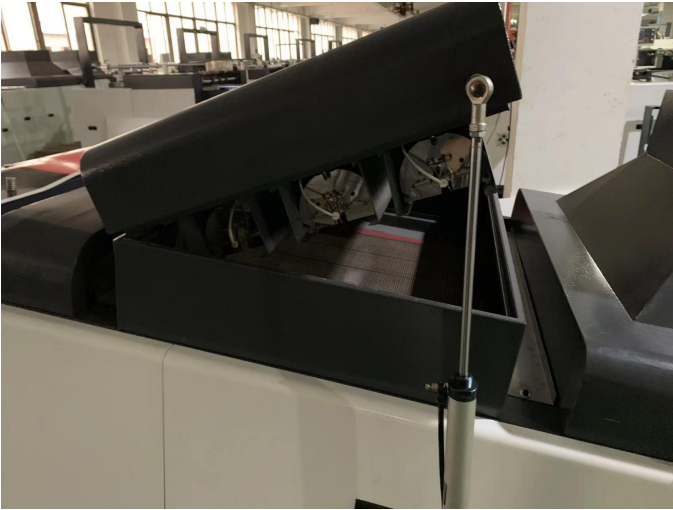
- 1: Adopt high-speed offset press feeder (12000 sheets/hour) to ensure fast and stable operation
- 2: Paper photoelectric control, automatic lifting
- 3: Double protection feeder lifting safety
- 4: Using the latest Pre-stacker design for Continuous paper feeding, greatly save paper time and reduce the labor intensity of operators.

(二) : Coating section (basic oil coating head)



- 1: The anilox roller is used for oil supply, and the weight of oil is uniform. 80-120 mesh. You can choose different types of oil to achieve 3-10 grams of coating oil per square meter.
- 2: The closed scraper is used to circulate the oil inside the oil circuit without outflow of oil, which can effectively reduce oil loss and volatilization.
- 3: The main machine uses offset press to feed paper in its teeth, and paper of different thicknesses can work smoothly.
- 4: Photoelectric automatically control pressing to prevent oil on the back when there is no paper.
- 5: The plate roller is engraved with a network cable for easy alignment during plate pasting.

(三) : IR Drying and UV Curing System



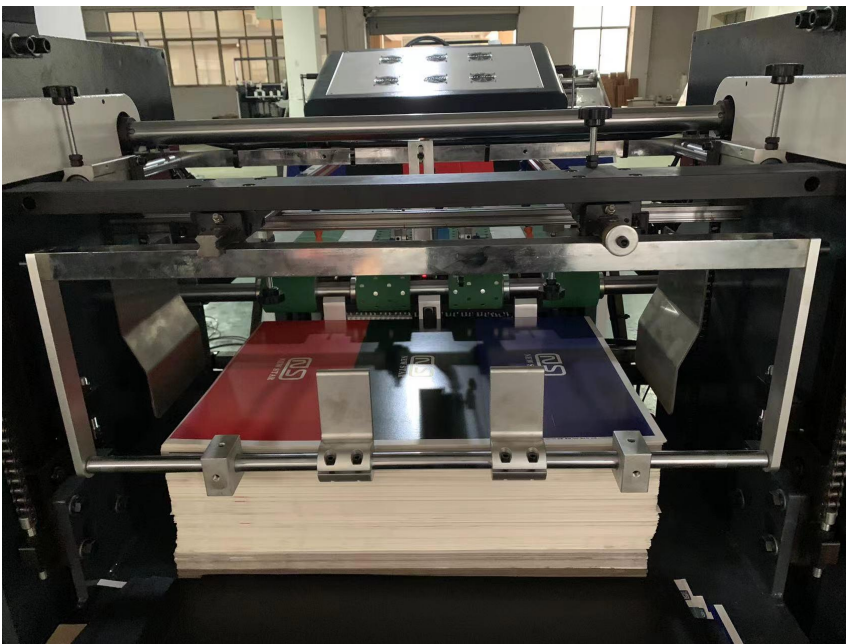
- 1: The length of the oven is 4300mm, which can effectively ensure the leveling and curing degree strength
- 2: Equipped with UV and IR systems, which are controlled separately and cannot be used at the same time.
- 3: 18 IR lamps and 3 UV lamps, IR lamps generally have a life of 2 years, UV lamps have a life of 800~1000H, and transformers have a life of more than one year .
- 4: The UV part adopts 8KW adjustable electronic light source, which has greatly improved safety performance than the traditional voltage source light source. The light source can adjust the brightness automatically as the change of machine's running speed, which can be changed from 30% to 100%. Thus the average energy consumption is saved by more than 30%.
- 5: Emergency stop or overheat protection device, when the emergency stop or the temperature inside exceeds 150 degrees, the protective cover will automatically rise to dissipate heat to prevent fire
- 6: Equipped with a ventilation system, under the UV curing box, there is a strong suction device composed of an exhaust fan and a wind box, which can extract ozone, dissipate heat and make the paper not easy to curl in the furnace, but can pass smoothly.
- 7: Equipped with automatic correction system, (double correction, double over-limit protection). The paper conveying adopts the imported Teflon conveyor belt, which can prevent ultraviolet rays, is strong and durable, does not support the paper, the electric eye detects the Teflon conveyor belt, and the automatic homing correction device
- 8: The whole process of suction to ensure that the coating products will not float and do not pile up paper. The oven is equipped with iron wire protection to prevent the paper from floating on the paper and cause a fire.

(四) : Cooling system



After the paper dries out, it is quickly air-cooled to make the paper dry faster without anti-sticking.

(五) : Automatic delivery system



- 1: Paper photoelectric control, automatic lifting
- 2: Double protection feeder lifting safety
- 3: Equipped with pneumatic paper flap function, you can set the number and time of the paper beat to ensure neatness
- 4: Disorderly paper automatic lowering function

四： Main configuration

Accessory Name	Brand/Origin	Note
Frequency converter/PLC	Shenzhen/Inovance	
Contactator/Relay	Shanghai/Inovance	
Botton	Shanghai/Inovance	
Main fiber optics, optoelectronics	Japan/OMRON	
Stroke/limit switch	Shanghai/Schneider	
Electromagnetic valve	Shanghai/AirTac	
Pneumatic control components	Shanghai/AirTac	
Teflon conveyor belt	Xiamen/Sibek	
Motor / reducer	Zhejaing/Dongfang Transmission	Metering roller motor: Shanghai Zhibao
Host wall panel	HT200	
Scraper	Switzerland	
Main bearing	Japan、NSK	